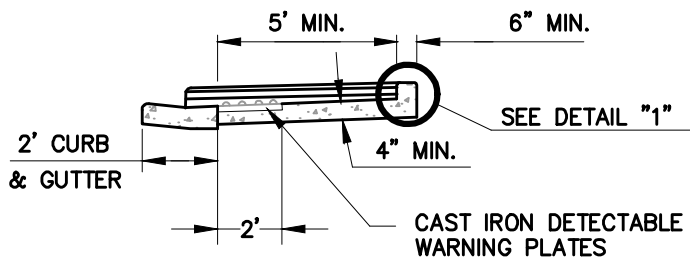
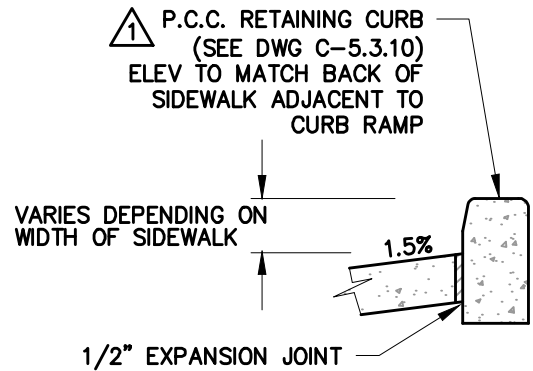


PLAN
NTS



SECTION A-A
NTS



DETAIL 1
NTS

NOTES:

1. RETAINING CURB TO BE USED IN ALL CASES. MAINTAIN SLOPE OF SIDEWALK OUTSIDE OF CURB RAMP.
2. SEE "CURB RAMP GENERAL NOTES" DWG C-5.3.1 FOR FURTHER REQUIREMENTS.

NO.	REVISION	DATE	STANDARD DETAIL FOR PUBLIC WORKS CONSTRUCTION	SECTION
1	RET CURB DTL	1/20	MID BLOCK CURB RAMP	CARSON CITY
				DRAWING NO. C-5.3.9
				DATE
				JAN 2020
APPROVED BY:		1/20		