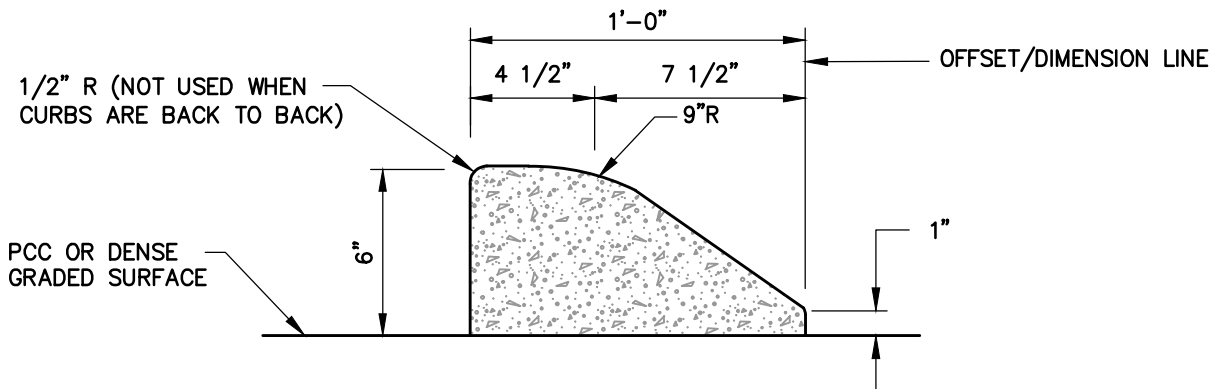


TYPE A CURB – SECTION
 NTS (0.0108 cu. yds. per ft.)



TYPE B CURB – SECTION
 NTS (0.0185 cu. yds. per ft.)

NOTES:

1. GLUE DOWN CURB TO BE USED ONLY UPON SPECIFIC APPROVAL OF THE CARSON CITY ENGINEER OR PUBLIC WORKS DIRECTOR.
2. FIBER-REINFORCED PORTLAND CEMENT CONCRETE (PCC) SHALL HAVE THE FOLLOWING CHARACTERISTICS; SYNTHETIC FIBER-REINFORCEMENT (AT A MINIMUM OF 1 POUND PER CUBIC YARD), 4000 psi MINIMUM COMPRESSIVE STRENGTH AT 28 DAYS, MINIMUM 6 SACKS OF CEMENT PER CUBIC YARD, W/MAXIMUM WATER-CEMENT RATIO OF 0.45, AIR ENTRAINMENT 6%±1.5%, SLUMP 1 TO 4 INCHES. ALL MATERIALS SHALL CONFORM TO SECTION 202 OF THE STANDARD SPECIFICATIONS FOR PUBLIC WORKS CONSTRUCTION (SSPWC)
3. ALL CONCRETE CURB SHALL HAVE 1/2 INCH EXPANSION JOINTS EVERY 200 FEET (UNLESS APPROVED OTHERWISE BY THE ENGINEER) AND SHALL HAVE WEAKENED PLANE JOINTS EVERY 10 FEET. CONCRETE EDGING AND JOINTING SHALL BE CONSTRUCTED IN ACCORDANCE WITH STANDARD DETAILS C-5.1.1 AND CONFORM TO SECTION 312 OF THE STANDARD SPECIFICATIONS FOR PUBLIC WORKS CONSTRUCTION (SSPWC).
4. SECURE CURB WITH EPOXY CEMENT TO FINISHED PLANTMIX SURFACE. EPOXY CEMENT MAY BE OMITTED WHEN INSTALLATION IS TEMPORARY.
5. ALL NOSES ON MEDIAN CURB SHALL BE POURED SOLID FOR THE FULL WIDTH OF THE MEDIAN.

NO.	REVISION	DATE	STANDARD DETAIL FOR PUBLIC WORKS CONSTRUCTION	SECTION
1	NOTE 3	9/17	GLUE DOWN CURB	CARSON CITY
				DRAWING NO. C-5.1.5
				DATE SEP 2017
APPROVED BY:		9/17		